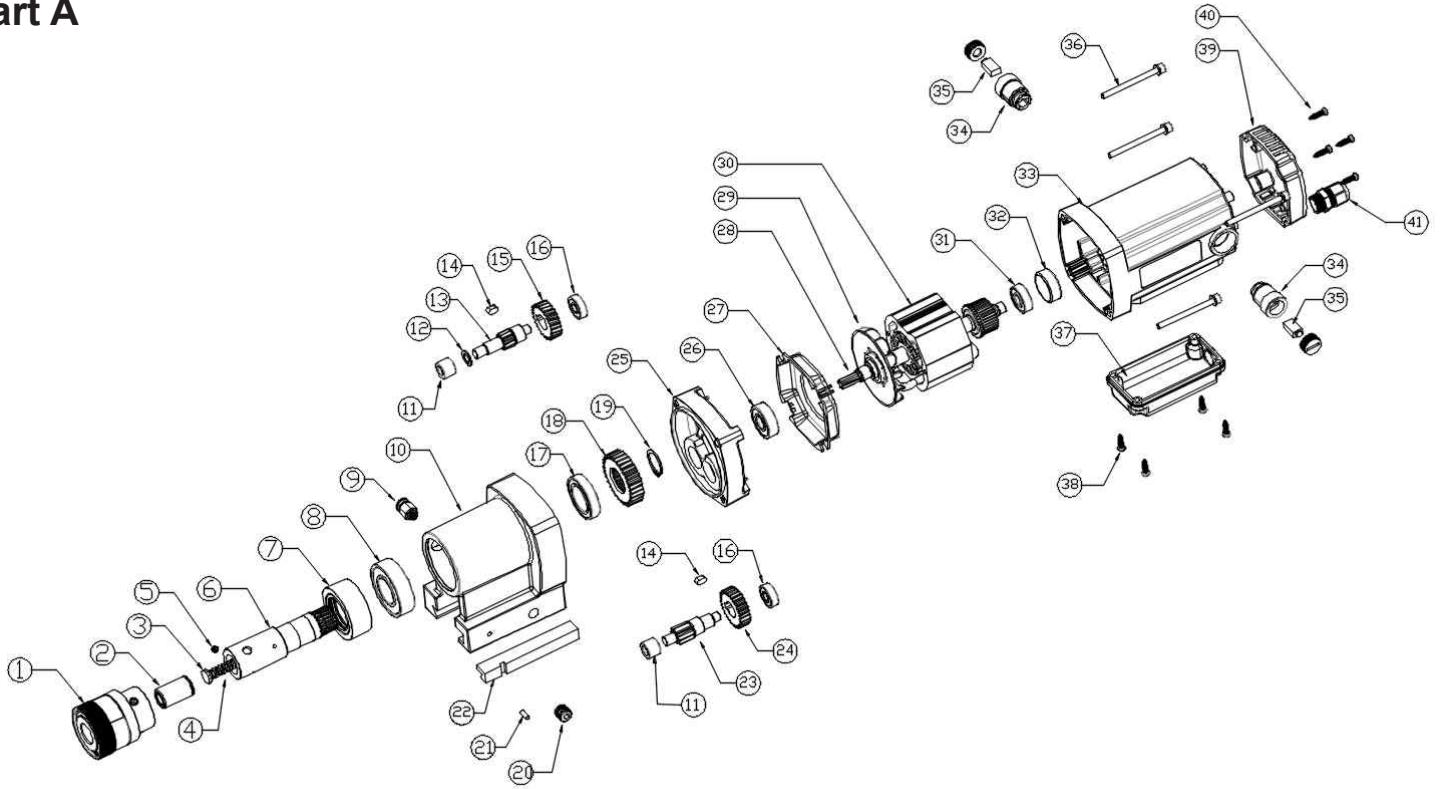
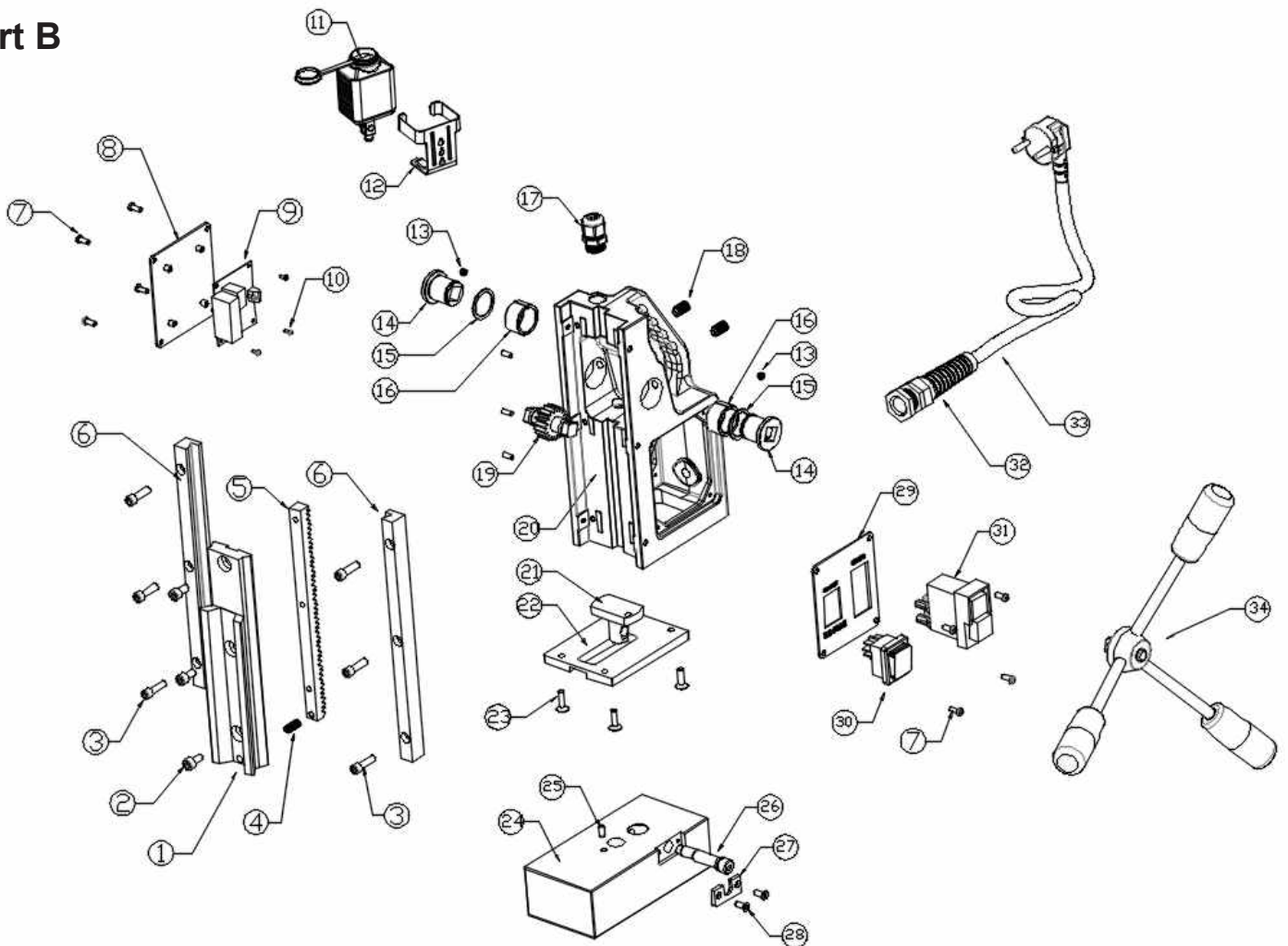


# MAGPRO 40/ 1S Adjust Swivel

## Part A



## Part B



# MP 40 1S Adjust | 490140S

PART A				
ITEM	PART NO	Q'TY	PART NAME	Price in € excl. VAT
1.)	MA40S-A01	1	AUTO CHUCK ASSY'S	
2.)	MA40S-A02	1	SLIDE SPINDLE	
3.)	MA40S-A03	1	SPRING END CAP	
4.)	MA40S-A04	1	SPRING	
5.)	MA40S-A05	1	SOCKET SET SCREW	M5*L5
6.)	MA40S-A06	1	MAIN SPINDLE	
7.)	MA40S-A07	1	OIL SEALING ASSY'S	
8.)	MA40S-A08	1	BEARING	6205DD
9.)	MA40S-A09	1	NIPPLE	1/8*8 (M6*1.0Pitch)
10.)	MA40S-A10	1	GEAR BOX	
11.)	MA40S-A11	2	NIDDLE BEARING	NK0912
12.)	MA40S-A12	1	WASHER	LC(400-3002)
13.)	MA40S-A13	1	FIRST PINION	
14.)	MA40S-A14	2	KEY	5*5*10*2R
15.)	MA40S-A15	1	FIRST GEAR	
16.)	MA40S-A16	2	BEARING	608ZZ
17.)	MA40S-A17	1	BEARING	6905ZZ
18.)	MA40S-A18	1	MAIN GEAR	
19.)	MA40S-A19	1	SNAPRING	STW-22
20.)	MA40S-A20	1	SOCKET SET SCREW	M8*12
21.)	MA40S-A21	1	PIN	PI4*10
22.)	MA40S-A22	1	DOVETAIL GIB	(612-0004)
23.)	MA40S-A23	1	SECOND PINION	
24.)	MA40S-A24	1	SECOND GEAR	
25.)	MA40S-A25	1	INNER COVER	
26.)	MA40S-A26	1	BEARING	6201DD
27.)	MA40S-A27	1	FAN GUIDE	
28.)	MA40S-A28	1	ARMATURE ASS'Y	220V
29.)	MA40S-A29	1	FAN	
30.)	MA40S-A30	1	STATOR	220V
31.)	MA40S-A31	1	BEARING	6000ZZ
32.)	MA40S-A32	1	BEARING RUBBER BUSHING	
33.)	MA40S-A33	1	HOUSING	
34.)	MA40S-A34	2	CARBON HOLDER SET	
35.)	MA40S-A35	2	CARBON BRUSH	
36.)	MA40S-A36	4	HEX SOCKET HEAD SCREW	M5*60
37.)	MA40S-A37	1	WIRE COVER	
38.)	MA40S-A38	4	PAN HEAD TAPPING SCREW	4*15
39.)	MA40S-A39	1	HOUSING CAP	
40.)	MA40S-A40	4	PAN HEAD TAPPING SCREW	4*15
41.)	MA40S-A41	1	CABLE GLAND	
PART B				
1.)	MA40S-B01	1	DOVETAIL SLIDE	
2.)	MA40S-B02	3	HEX SOCKET HEAD SCREW	M6*12
3.)	MA40S-B03	6	HEX SOCKET HEAD SCREW	M6*20
4.)	MA40S-B04	1	SOCKET SET SCREW	M6*16
5.)	MA40S-B05	1	RACK GEAR	
6.)	MA40S-B06	2	DOVETAIL GUIDE	
7.)	MA40S-B07	8	PAN HEAD SCREW	M4*10
8.)	MA40S-B08	1	WARNING PANEL	
9.)	MA40S-B09	1	PCB	
10.)	MA40S-B10	4	PAN HEAD SCREW	M3*6
11.)	MA40S-B11	1	COOLANT BOTTLE ASS'Y	
12.)	MA40S-B12	1	BOTTLE BRACKET	
13.)	MA40S-B13	2	SOCKET SET SCREW M5*5	M5*5
14.)	MA40S-B14	2	HANDLE HUB	
15.)	MA40S-B15	2	WASHER	LC(400-3000)
16.)	MA40S-B16	2	HANDLE BRAKE	
17.)	MA40S-B17	1	CABLE GLAND	B
18.)	MA40S-B18	2	SOCKET SET SCREW	M8*10
19.)	MA40S-B19	1	RACK PINION	

# MP 40 1S Adjust | 490140S

20.)	MA40S-B20	1	MAIN FRAME	
21.)	MA40S-B21	1	SWIVEL CLAMP	
22.)	MA40S-B22	1	SWIVEL PLATE	
23.)	MA40S-B23	4	FLAT HEAD SCREW	M5*18
24.)	MA40S-B24	1	ELECTROMAGNET	
25.)	MA40S-B25	1	PIN	PI5*10
26.)	MA40S-B26	1	SWIVEL SCREW	
27.)	MA40S-B27	1	SWIVEL SCREW GUIDE	
28.)	MA40S-B28	2	FLAT HEAD SCREW	M4*13
29.)	MA40S-B29	1	CONTROL PANEL	
30.)	MA40S-B30	1	MAGNET SWITCH	
31.)	MA40S-B31	1	MOTOR SWITCH	
32.)	MA40S-B32	1	SPIRAL CABLE GRAND	
33.)	MA40S-B33	1	AC POWER CABLE	
34.)	MA40S-B34	1	HANDLE ASS'Y	